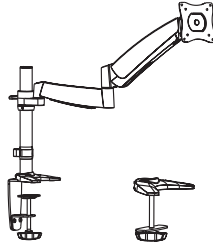


# Owner's Manual

## Full Motion Flat Screen Desk Mount MODEL: DDR1327S



CAUTION: DO NOT EXCEED MAXIMUM LISTED WEIGHT CAPACITY. SERIOUS INJURY OR PROPERTY DAMAGE MAY OCCUR!



75x75  
100x100



9kg  
(19.8lbs)  
MAX

Este manual esta disponible en español en la página de Tripp Lite: [www.tripplite.com](http://www.tripplite.com)

Ce manuel est disponible en français sur le site Web de Tripp Lite : [www.tripplite.com](http://www.tripplite.com)

Русскоязычная версия настоящего руководства представлена на веб-сайте компании Tripp Lite по адресу: [www.tripplite.com](http://www.tripplite.com)

Dieses Handbuch ist in deutscher Sprache auf der Tripp Lite-Website verfügbar: [www.tripplite.com](http://www.tripplite.com)

### PROTECT YOUR INVESTMENT!

Register your product for quicker service and ultimate peace of mind.

You could also win an ISOBAR6ULTRA surge protector—a \$50 value!

[www.tripplite.com/warranty](http://www.tripplite.com/warranty)

# TRIPP·LITE



1111 W. 35th Street, Chicago, IL 60609 USA • [www.tripplite.com/support](http://www.tripplite.com/support)

Copyright © 2014 Tripp Lite. All rights reserved.

**NOTE:** Read the entire instruction manual before you start installation and assembly.



## **WARNING**

- Do not begin the installation until you have read and understood the instructions and warnings contained in this manual. If you have any questions regarding any of the instructions or warnings, please visit [www.tripplite.com/support](http://www.tripplite.com/support).
- This mounting bracket was designed to be installed and utilized **ONLY** as specified in this manual. Improper installation of this product may cause damage or serious injury.
- Make sure that the mounting surface can safely support the combined load of the equipment and all attached hardware and components.
- Always use an assistant or mechanical lifting equipment to safely lift and position equipment.
- Tighten screws firmly, but do not over-tighten. Over-tightening can damage the items, greatly reducing their holding power.
- This product is intended for indoor use only. Using this product outdoors could lead to product failure and personal injury.

## **Warranty & Warranty Registration**

### **5-Year Limited Warranty**

Seller warrants this product, if used in accordance with all applicable instructions, to be free from original defects in material and workmanship for a period of 5 years from the date of initial purchase. If the product should prove defective in material or workmanship within that period, Seller will repair or replace the product, in its sole discretion.

THIS WARRANTY DOES NOT APPLY TO NORMAL WEAR OR TO DAMAGE RESULTING FROM ACCIDENT, MISUSE, ABUSE OR NEGLIGENCE. SELLER MAKES NO EXPRESS WARRANTIES OTHER THAN THE WARRANTY EXPRESSLY SET FORTH HEREIN. EXCEPT TO THE EXTENT PROHIBITED BY APPLICABLE LAW, ALL IMPLIED WARRANTIES, INCLUDING ALL WARRANTIES OF MERCHANTABILITY OR FITNESS, ARE LIMITED IN DURATION TO THE WARRANTY PERIOD SET FORTH ABOVE; AND THIS WARRANTY EXPRESSLY EXCLUDES ALL INCIDENTAL AND CONSEQUENTIAL DAMAGES. (Some states do not allow limitations on how long an implied warranty lasts, and some states do not allow the exclusion or limitation of incidental or consequential damages, so the above limitations or exclusions may not apply to you. This warranty gives you specific legal rights, and you may have other rights which vary from jurisdiction to jurisdiction).

**WARNING:** The individual user should take care to determine prior to use whether this device is suitable, adequate or safe for the use intended. Since individual applications are subject to great variation, the manufacturer makes no representation or warranty as to the suitability or fitness of these devices for any specific application.

### **WARRANTY REGISTRATION**

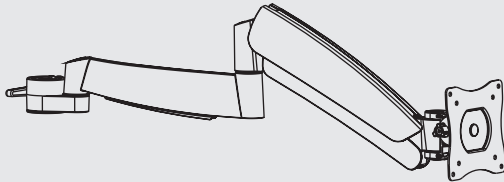
Visit [www.tripplite.com/warranty](http://www.tripplite.com/warranty) today to register the warranty for your new Tripp Lite product. You'll be automatically entered into a drawing for a chance to win a FREE Tripp Lite product!\*

\* No purchase necessary. Void where prohibited. Some restrictions apply. See website for details.

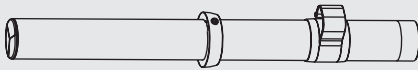
Tripp Lite has a policy of continuous improvement. Specifications are subject to change without notice.

## Component Checklist

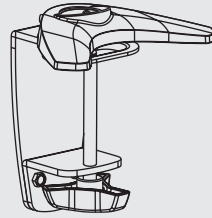
**IMPORTANT:** Ensure that you have received all parts according to the component checklist prior to installing. If any parts are missing or faulty, visit [www.tripplite.com/support](http://www.tripplite.com/support) for service.



Adapter Bracket Assembly (x1)



Pole (x1)

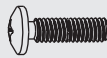


Desk Clamp Assembly (x1)

### Package M



M4X14 (x4)



M5X14 (x4)



D5 Washer (x4)

### Package P



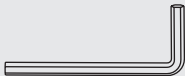
3mm Hex Key (x1)



4mm Hex Key (x1)



5mm Hex Key (x1)



6mm Hex Key (x1)

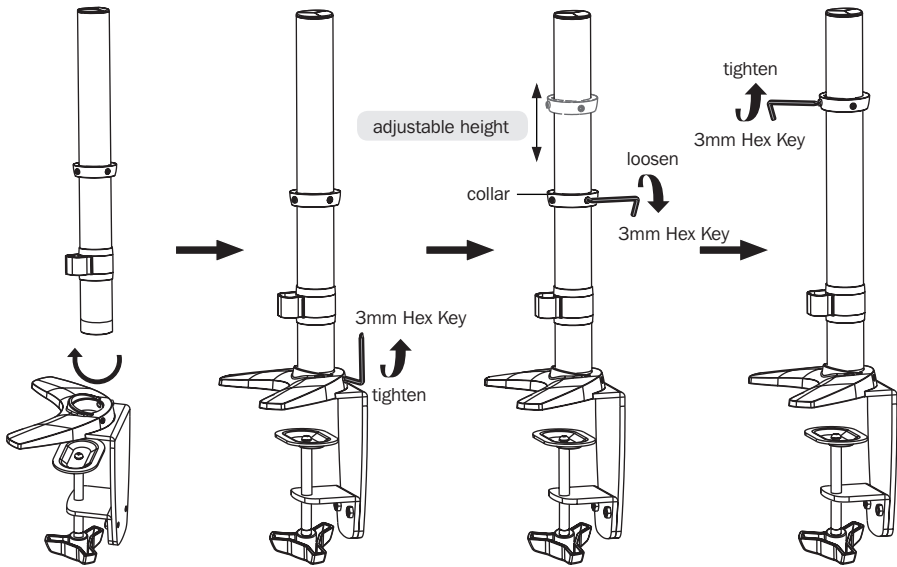


Base Plate (x1)



Pad (x1)

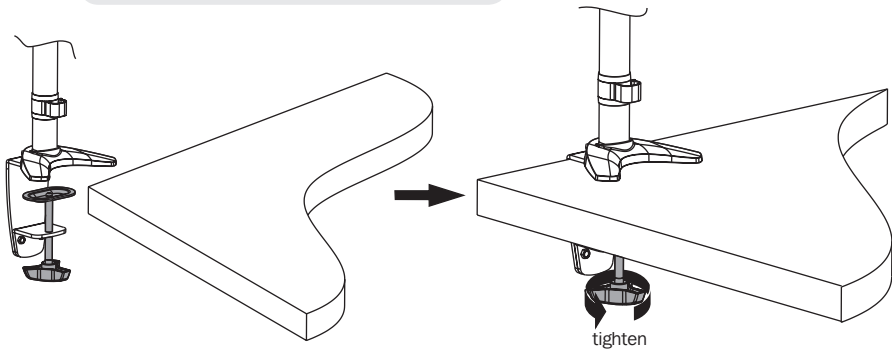
## 1. Install the Pole and Desk Clamp Assembly



## 2. Desk Installation

### 2a. Edge Installation

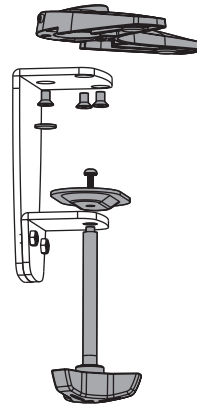
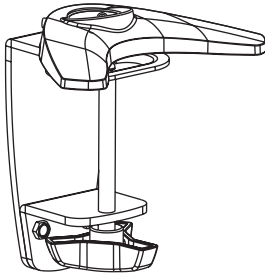
**Note:** min. desktop thickness=10mm (.4")  
max. desktop thickness=90mm (3.5")



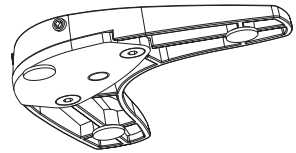
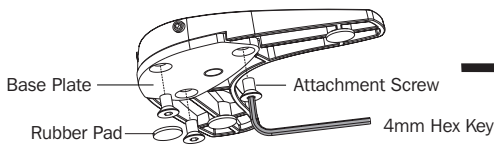
- Determine approximate location for mount, keeping in mind display size, height adjustment and pitch/roll requirements.
- Slip the desk mount assembly over the edge of desk so that clamp fully contacts desk edge.
- Turn the knob to adjust the clamp to edge of desk and secure it tightly.

## 2. Desk Installation

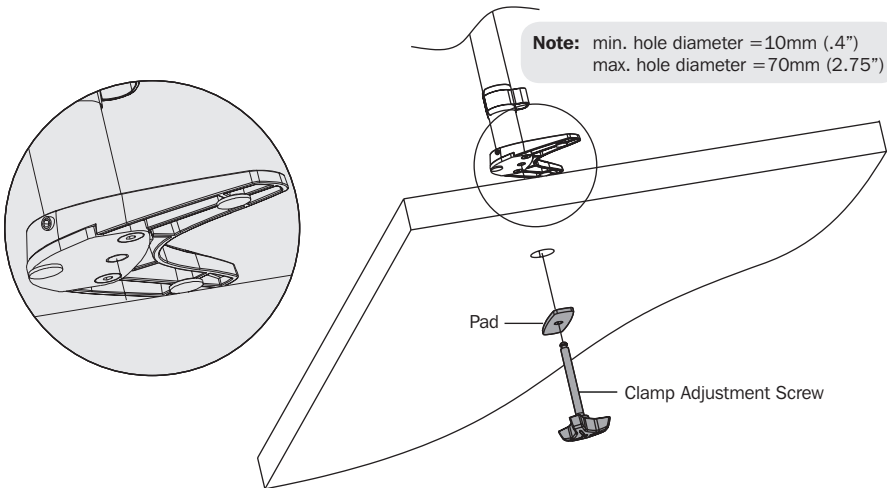
### 2b. Hole Installation



Disassemble the desk clamp assembly by removing the clamp adjustment screw and the three attachment screws from the base plate.



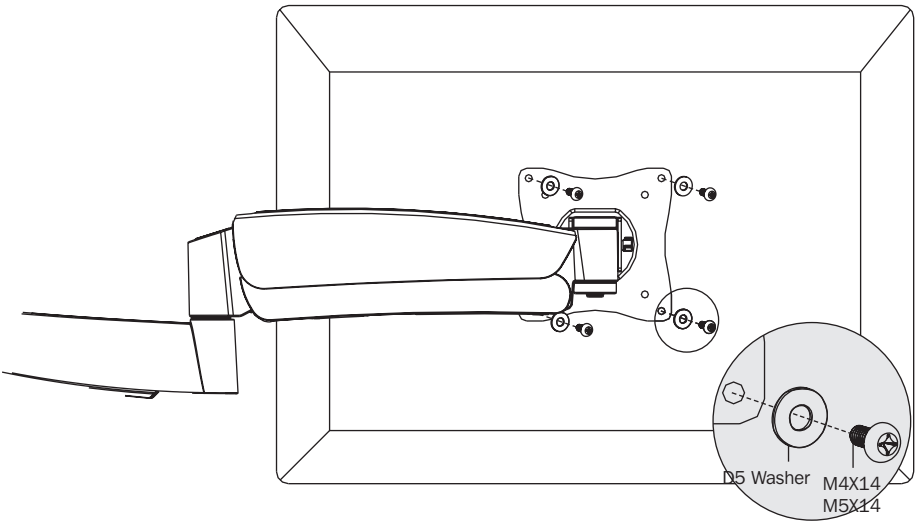
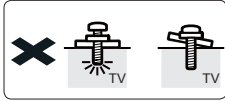
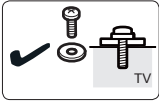
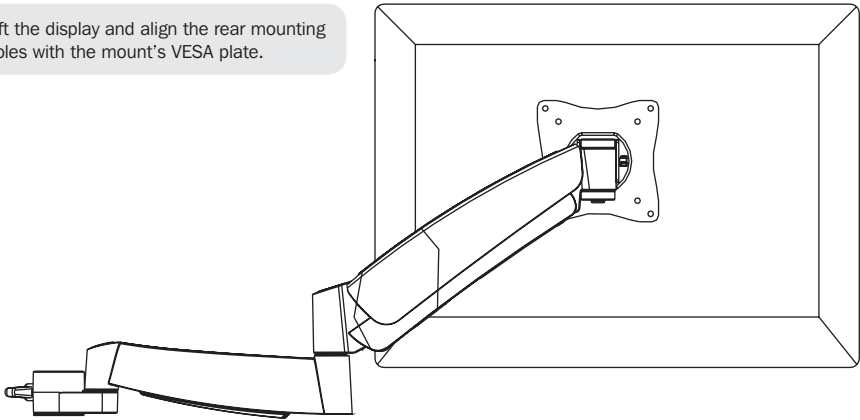
Re-install the base plate with three retained attachment screws. Tighten securely.



From below the desk, insert retained clamp adjustment screw through Pad and up through the hole in the desk. Thread screw by turning the knob into base plate but do not tighten completely at this time. Center the desk mount assembly over the hole and then securely tighten screw.

### 3. Install Adapter Bracket

Lift the display and align the rear mounting holes with the mount's VESA plate.



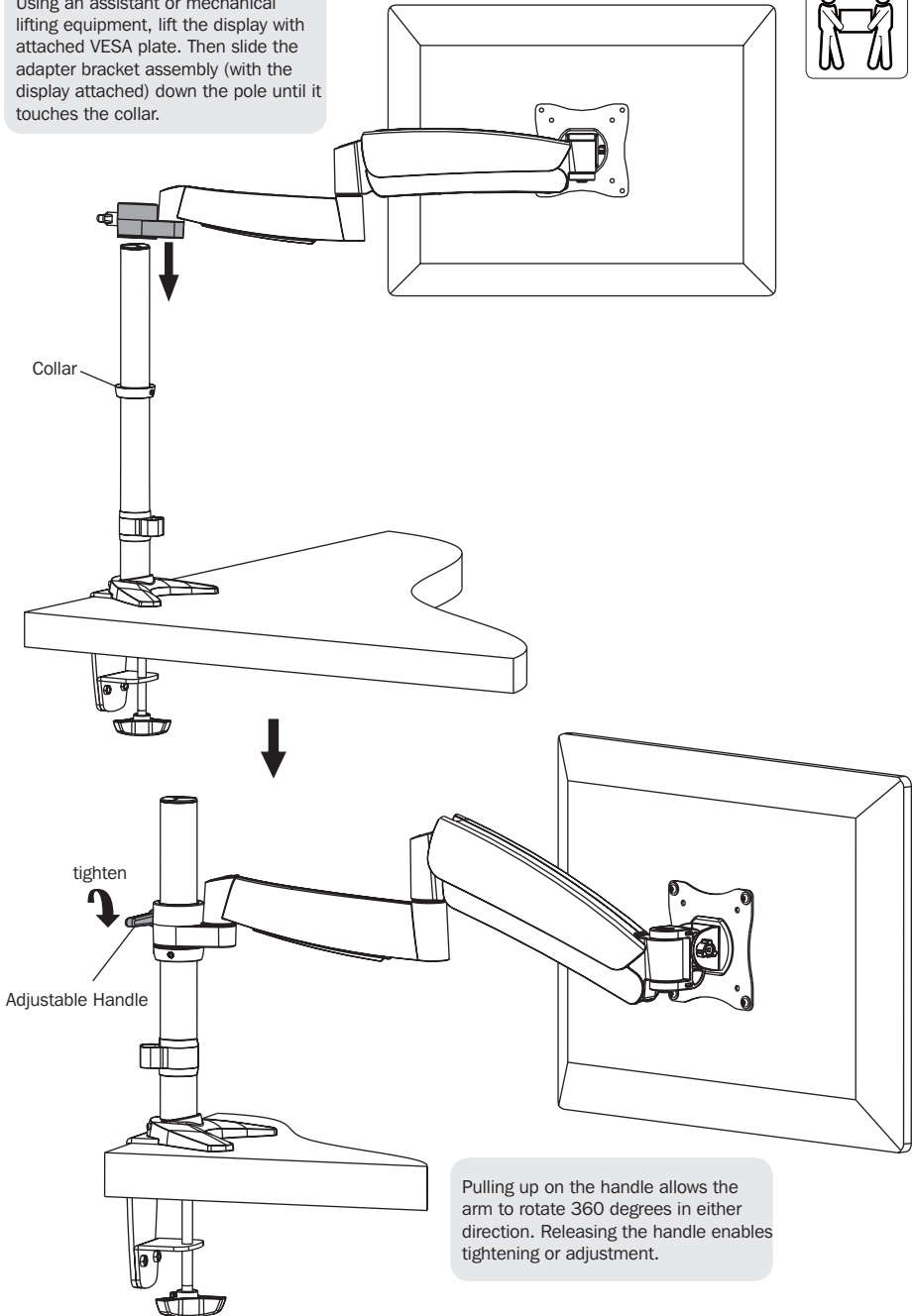
Attach the display to the VESA plate with the appropriate included screws.



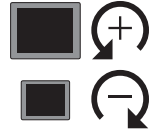
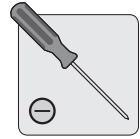
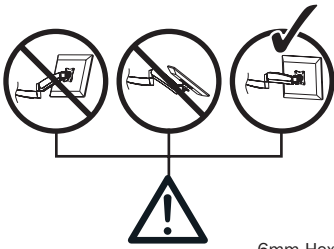
**Do not over-tighten screws**

## 4. Install Adapter Bracket Assembly (attached display)

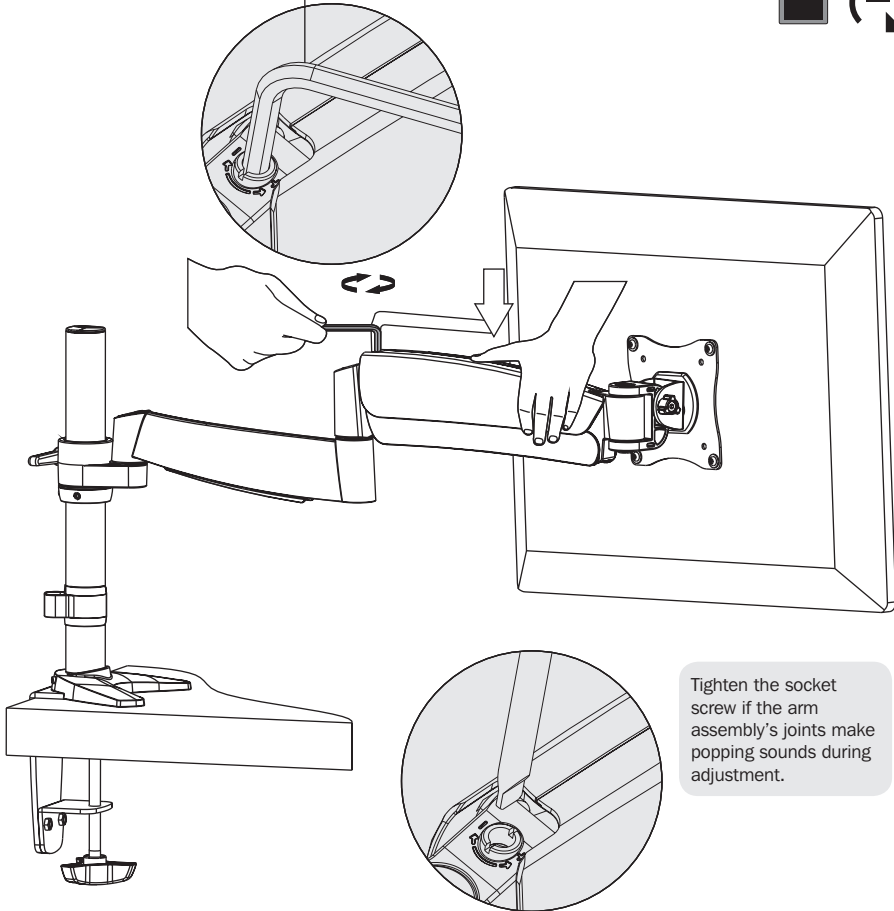
Using an assistant or mechanical lifting equipment, lift the display with attached VESA plate. Then slide the adapter bracket assembly (with the display attached) down the pole until it touches the collar.



## 5. Height Adjustment



6mm Hex Key



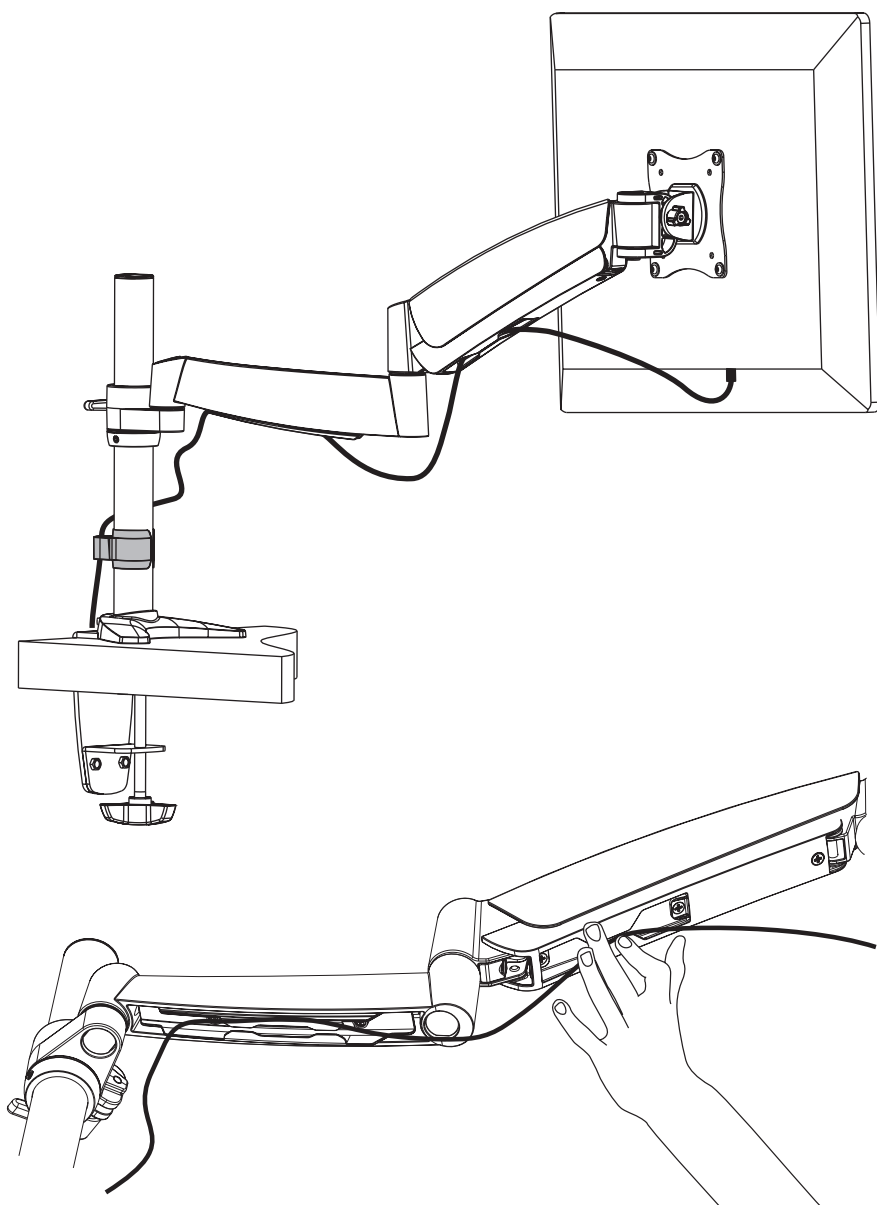
Keep the wall mount arm level during tension adjustment. You may need to slightly loosen or tighten the adjustment screw using the provided Hex Keys depending on the weight of display installed.

If display settles on its own, rotate adjustment screw towards the "+" symbol.

If display rises on its own, rotate adjustment screw towards the "-" symbol.

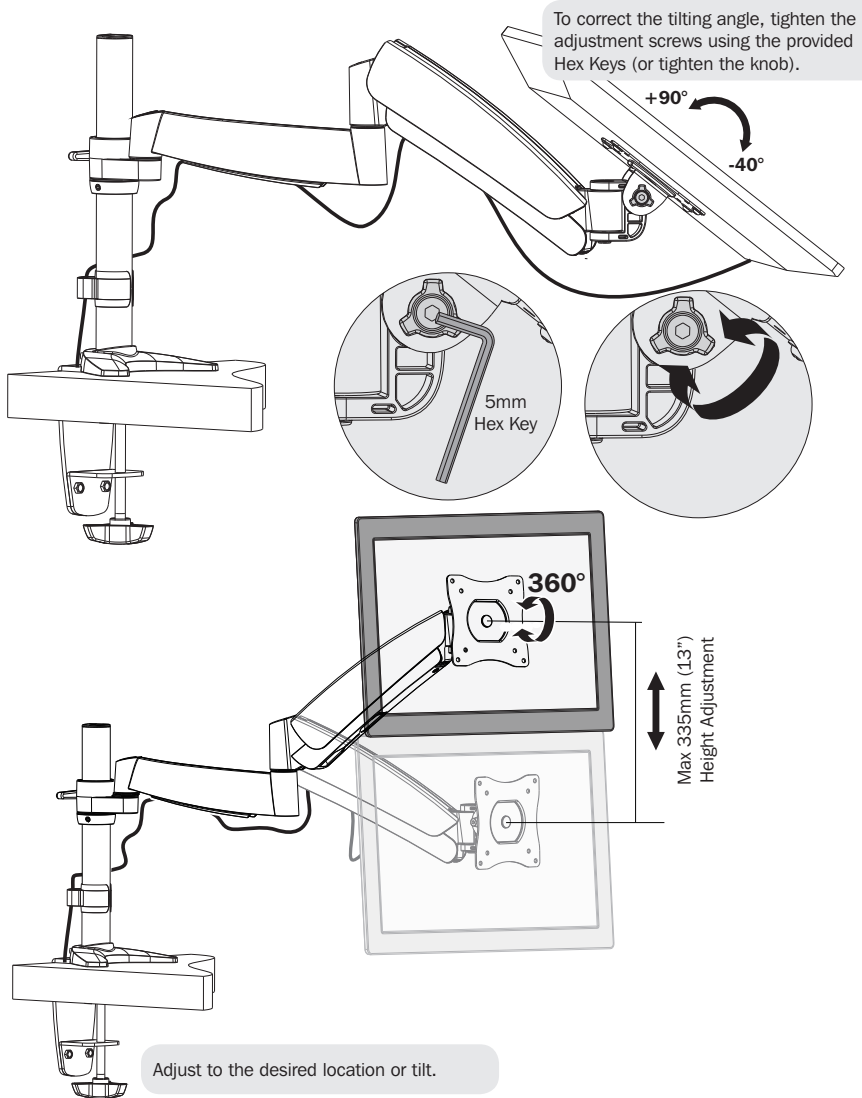


## 6. Cable Management



Connect the cables to the display. Press cable cover inward to route the cables through the space.  
Note: Leave slack in cable for arm movement.

## 7. Adjustment



### Maintenance

- Check that the bracket is secure and safe to use at regular intervals (at least every three months).
- Please visit [www.tripplite.com/support](http://www.tripplite.com/support) if you have any questions.





1111 W. 35th Street, Chicago, IL 60609 USA • [www.tripplite.com/support](http://www.tripplite.com/support)